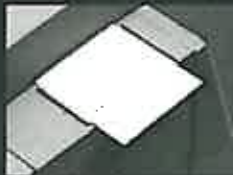


# DAITO ID CAMERA LIC.1 Type



## Easy Maintenance & High Performance

DAITO DAYLIGHT ID CAMERA  
clearly prints patient's identification data  
onto X-ray film in a lightproof window cassette.  
It is designed to operate in normal room illumination.



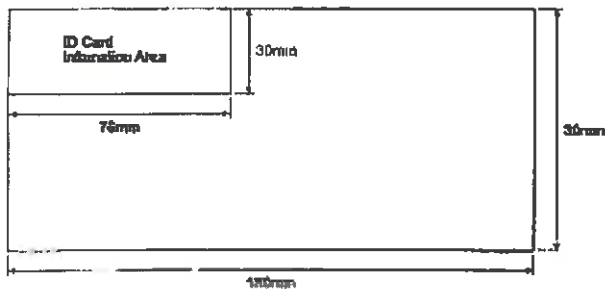
AP CARD SLOT



PA CARD SLOT

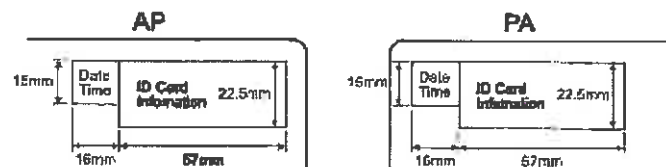


### ID Card Recommended Dimensions



- Please use an ID Card with dimensions of 83mm X 180mm to suit the ID camera slot.
- Printing dimensions on a film: 22.5mm X 57mm plus date & time.
- Data writing area for a mammography cassette is 20mm X 78mm.
- Printing dimensions on a film: 15mm X 57mm plus date & time.

### Printed Samples on a Film



### SPECIFICATION

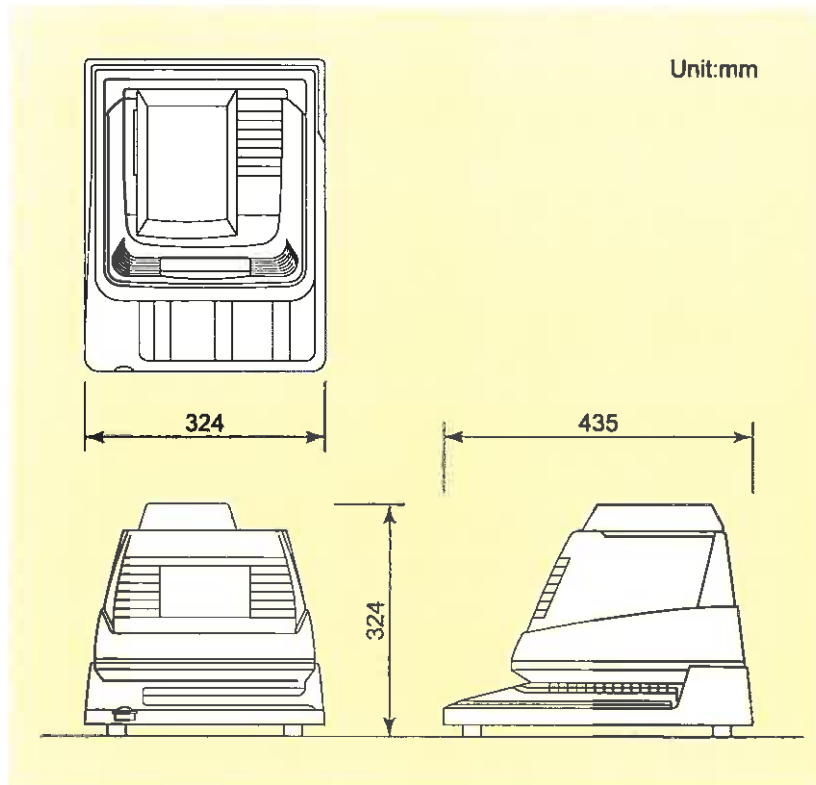
Description	AP/PA Daylight ID printing system used with a pin-type window cassette.
Function	Print patient's identification Data, written or typed in a white ID card/paper, onto x-ray film. Date and Time are automatically printed.
Required Cassette	A pin-type window cassette. (A few exceptions exist.)
Density Adjusting	Density is adjustable in the range from 1 to 10 levels, indicated on LED.
Safeguard	A camera can only work when an ID card is properly inserted into a card holder.
Power Source	AC 100-240V 50/60Hz
Measurement	324(W) X 435(D) X 313(H)mm
Net Weight	7.0kg
Error Indication	6x error indicators available.

※ Specifications are subject to change without prior notice.

**DAITO CO., LTD.**

# DAITO ID CAMERA LIC.1 Type

## External Dimensions



## SPECIFICATION

<b>Print System:</b>	LED based, fixed-lime exposure system The print density setting can be varied from 1 to 10 by changing the light intensity.
<b>Print Magnification:</b>	0.75 X
<b>Print Data:</b>	ID Card information and print Date and Time
<b>ID Card:</b>	Specified card or equivalent
<b>Applicable Cassettes:</b>	Pin-type window Cassettes Motor-driven
<b>Cassette ID Window</b>	Motor-driven automatic Open/Close system
<b>Open/Close Mechanism:</b>	
<b>Light Source:</b>	TWO(2)LED
<b>Safety Mechanism:</b>	Prevention of a false cassette insertion
<b>Power Requirements:</b>	AC 100V/AC 120V/AC 220V/AC 230V/AC 240V 50/60Hz
<b>Outer Dimensions:</b>	324mm(width)×435mm(depth)×313(height)
<b>Weight:</b>	6.5kg
<b>Accessories:</b>	Power Code(qty:1), ID Card(qty:5), Operation Manual(qty:1)

**Note:** Specifications are subject to change without notice.